

# Series Progressive

## Trabon® MSP Divider Valve

### Features and Benefits

The Trabon MSP Series sets the industry standard for quality, reliability, and ease of use features. It was the original modular-style series progressive divider valve—and is still the best!

- Quick change valve sections can be removed from the base assembly without disturbing any lube lines—minimizing labor cost and maximizing your machine uptime
- Accessories such as magnetic and electronic proximity switch cycle indicators provide positive assurance of a successful lube event
- Alternate outlet on face of valves can be fitted with optional performance indicators, taking the guesswork out of troubleshooting
- Built-in outlet check valves ensure accurate lube delivery, every time

*Pre-assembled and tested base plates now available!*



### Typical Applications

- Mobile, industrial, food and beverage, wind, and many more

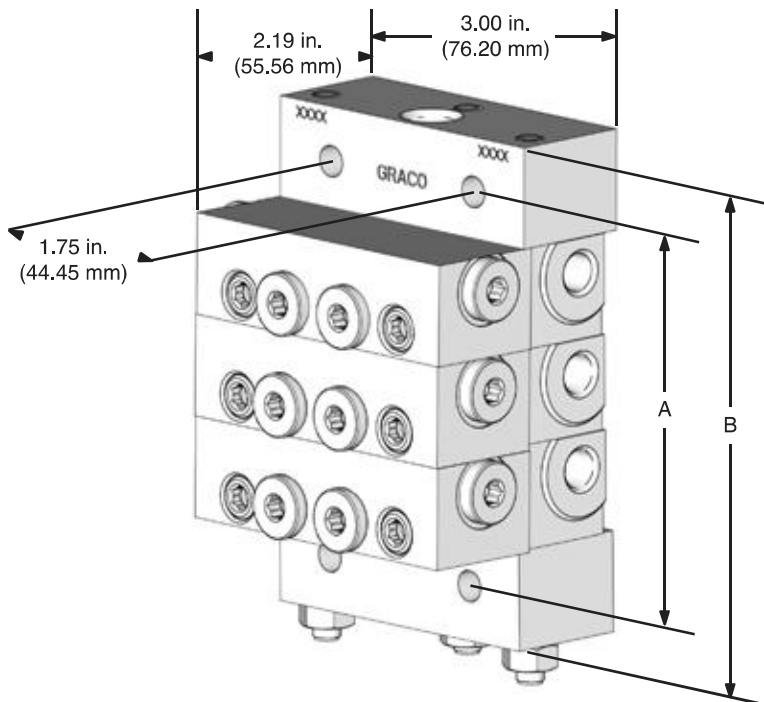
### Typical Fluids Handled

- Oil or Grease up to NLGI #2

### Technical Specifications

Material.....	Plated Steel
Maximum Pressure .....	3,500 psi (241 bar)
Max Operating Temperature.....	350° F (176 °C)
Max Cycle Rate with Cycle Pin .....	60 cycles/minute
Max Cycle Rate without Cycle Pin.....	200 cycles/minute

Series Progressive



Number of Valve Sections	Dimensions (for reference only)	
	A	B
3	3.6 in. (91.4 mm)	4.6 in. (116.8 mm)
4	4.5 in. (114.3 mm)	5.0 in. (127.0 mm)
5	5.4 in. (137.2 mm)	6.4 in. (162.6 mm)
6	6.3 in. (160.0 mm)	7.4 in. (188.0 mm)
7	7.3 in. (185.4 mm)	8.3 in. (210.8 mm)
8	8.2 in. (208.3 mm)	9.2 in. (233.7 mm)